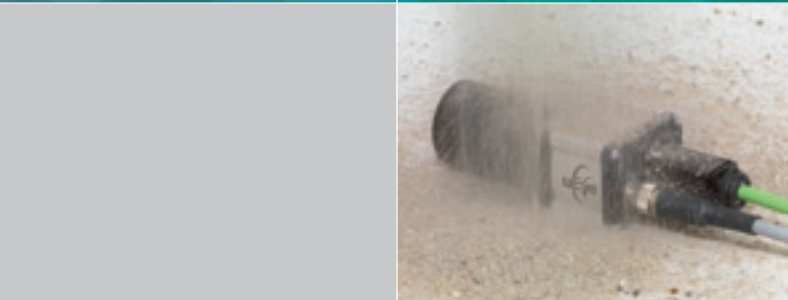


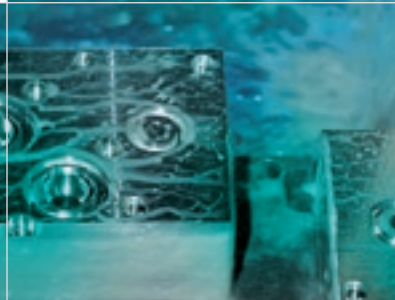
## GigE uEye® RE



IP 65/67

Your imagination is our challenge

# GigE uEye® RE



Lockable I/O and GigE connectors

Wide variety of filters

Very rugged housing

M3 and M5 mounting threads for flexible mounting

Complies with protection class IP 65/67 in combination with optional accessories



Accessories for drag chains



Accessories for harsh environments  
Protection class IP 65/67

## GigE uEye® RE – the camera for almost anywhere

The RE versions of the GigE uEye cameras are extremely rugged and offer an extended area of application. In conjunction with the special lens tubes and appropriate cabling, they meet the requirements of protection classes IP 65 and IP 67. The GigE uEye RE is thus particularly suited for harsh environments.

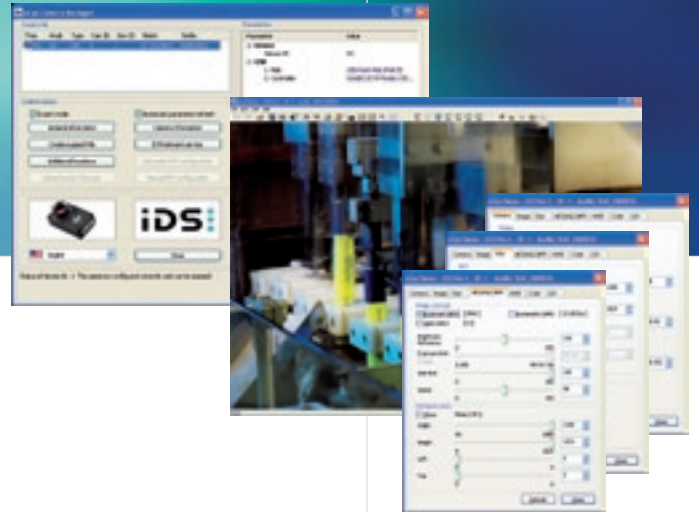
## Firmware upload philosophy

The modular uEye concept is also reflected in our software: The required firmware and driver are automatically loaded into the camera during initialization. We regularly release updates so you can quickly extend your camera's functionality any time – even if your camera is integrated in a machine vision system.

	Resolution	Framerate	Sensor	B/W	Color	Model
<b>up to 1 Megapixel</b>						
VGA	640 x 480	75 fps	1/3" SONY CCD	x	x	UI-6410RE
VGA	640 x 480	75 fps	1/2" SONY CCD	x	x	UI-6210RE
WVGA	752 x 480	100 fps	1/3" Aptina CMOS	x	x	UI-5220RE
CCIR	768 x 576	52 fps	1/2" SONY CCD	x	x	UI-6220RE
XGA	1024 x 768	30 fps	1/3" SONY CCD	x	x	UI-6230RE
<b>1 to 2 Megapixel</b>						
1.3 Mpixel	1280 x 1024	35 fps	1/2" Aptina CMOS	x		UI-5540RE
1.3 Mpixel	1280 x 1024	25 fps	1/3" Aptina CMOS		x	UI-5640RE
1.3 Mpixel	1280 x 1024	15 fps	1/2" SONY CCD	x	x	UI-6240RE
2 Mpixel	1600 x 1200	23 fps	1/3" Aptina CMOS		x	UI-5550RE
2 Mpixel	1600 x 1200	12 fps	1/2" SONY CCD	x	x	UI-6250RE
<b>+ 2 Megapixel</b>						
3.1 Mpixel	2048 x 1536	15 fps	1/2" Aptina CMOS		x	UI-5460RE
5 Mpixel	2560 x 1920	14 fps	1/2" Aptina CMOS	x	x	UI-5480RE
10 Mpixel	3480 x 2760	6 fps	1/2" Aptina CMOS		x	UI-5490RE



## Easy Integration Thanks to Comprehensive Software



### Programming: SDK and interfaces

Every uEye camera ships with a comprehensive software package containing Windows and Linux drivers, interfaces for various machine vision software products, and standard drivers such as Direct Show (WDM), TWAIN or the GenICam™ interface. Our extensive software development kit (SDK) allows you to customize and integrate your camera in minimum time.

### Programming: Languages and libraries

To make integration as easy as possible and allow use of your familiar development environment, we support the following programming languages: C, C++, C#, Microsoft.NET and Visual Basic. We also provide 3rd party software drivers for Common Vision Blox, HALCON, LabView and NeuroCheck.

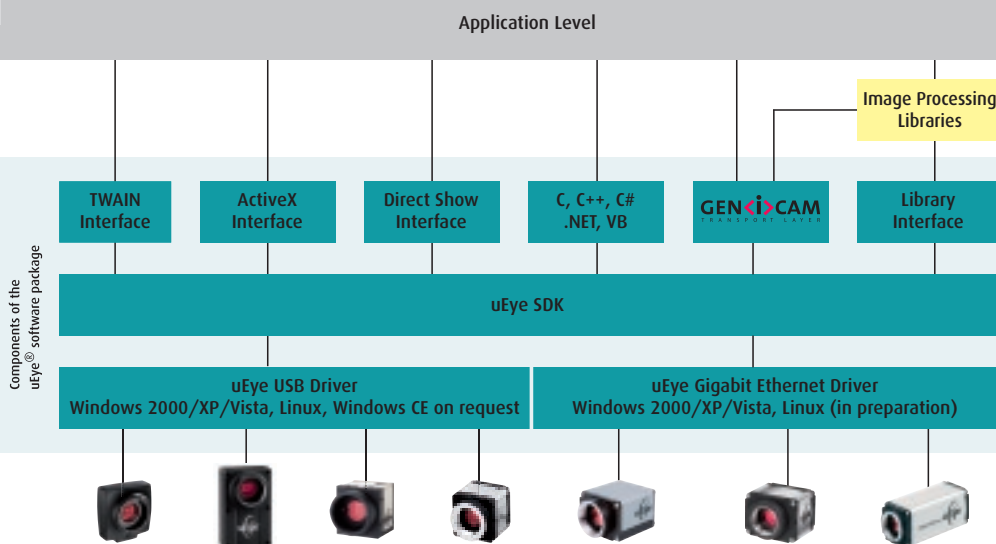
### Tools: Easiest configuration

The uEye Camera Manager is the central point for managing all uEye cameras connected to the system. The Expert mode gives you many additional details on the cameras, from IP address to temperature. This central tool thus helps you avoid bottlenecks and achieve maximum performance.

### Tools: uEye® Demo

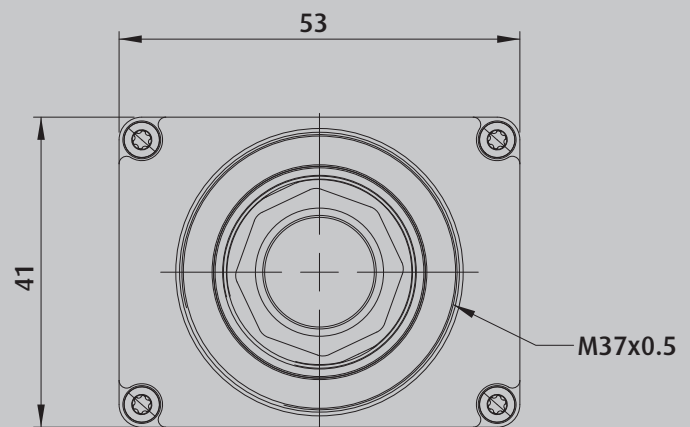
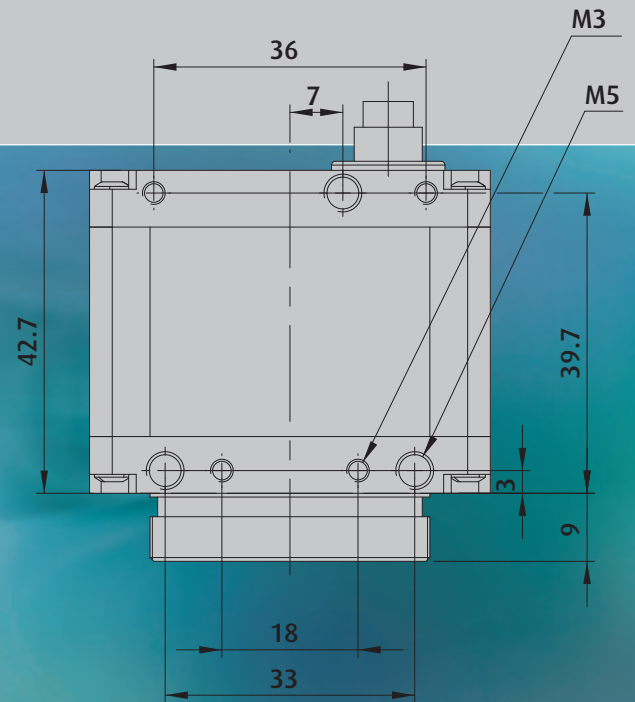
The supplied uEye demo program allows you to start acquiring images with your uEye camera in no time at all. It also allows you to perform image measurement and annotation, in addition to giving you all the tools to configure the camera settings so that it can be optimized for your application.

## The uEye® Software



## Features at a glance

- Complies with protection class IP 65/67 in combination with optional accessories
- Lockable GigE and I/O connectors
- Universal use with PC, notebook, IPC and embedded systems with Gigabit Ethernet
- Resolutions from VGA (640x480) to 10 megapixels (3840x2760)
- High-quality CCD and CMOS sensors
- Up to 100 full frames/sec., over 500 frames/sec. with AOI
- 1 trigger, 1 digital output
- One universal driver and one SDK for all uEye camera models. Supports Windows and Linux
- Standard interfaces such as Direct Show (WDM) and interfaces for popular image processing software available, e.g. LabView, HALCON, Common Vision Blox and NeuroCheck
- Firmware upload philosophy ensures identical, up-to-date versions in multi-camera environments
- GenICam™ interface



Scale 1:1 (GigE uEye RE CMOS) - All dimensions in mm



**IDS**

[www.ids-imaging.com](http://www.ids-imaging.com)

IDS Imaging Development Systems GmbH  
Dimbacher Straße 6-8  
74182 Obersulm/Germany  
Phone +49(0)7134/96196-0  
Fax +49(0)7134/96196-99  
sales@ids-imaging.com

IDS Imaging Development Systems, Inc.  
400 West Cummings Park, Suite 3400  
Woburn, MA 01801, USA  
Phone +1(781)787-0048  
Fax +1(781)287-1258  
usasales@ids-imaging.com